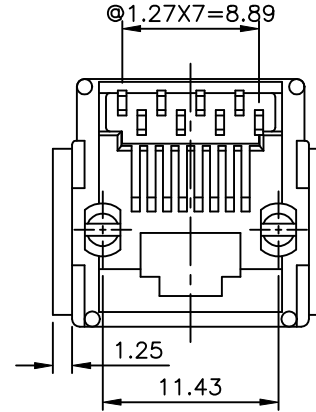
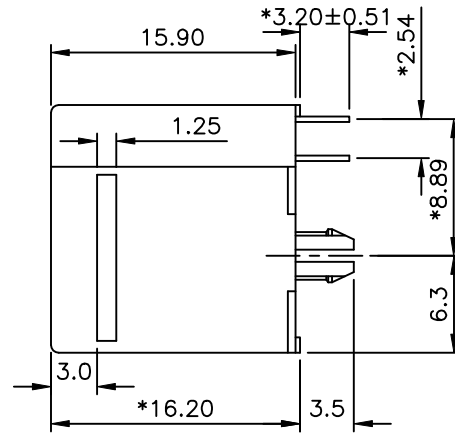
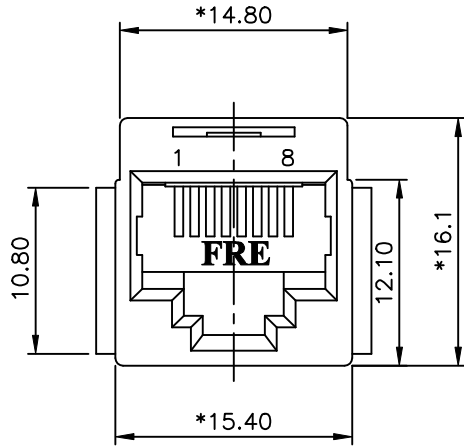


REVISION RECORD				
REV	ECO	DESCRIPTION	DRFT	CHKD
△		ADD P/N	JAMIN 11/2/05	



NOTES:

ELECTRICAL:

- 1. VOLTAGE RATING : 125 VAC RMS.
- 2. CURRENT RATING : 1.5 AMP.
- 3. CONTACT RESISTANCE : 45 MILLIOHMS MAX.
- 4. INSULATION RESISTANCE : 1000 MEGOHMS MIN @ 500 VDC.
- 5. DIELECTRIC STRENGTH : 1000 VAC RMS 60Hz, 1MIN.

MECHANICAL:

- 1. HOUSING MATERIAL : PBT+30% OR PBT+20% UL94V-0.
- 2. CONTACT MATERIAL : PHOSPHOR BRONZE t=0.35mm.
- 3. PLATING : GOLD PLATING OVER NICKEL.
- 4. OPERATING LIFE : 750 CYCLES MIN.
- 5. PCB RETENTION PRE-SOLDER : 1 LB MIN.
- 6. PCB RETENTION POST-SOLDER: 10 LBS MIN.

ENVIRONMENTAL:

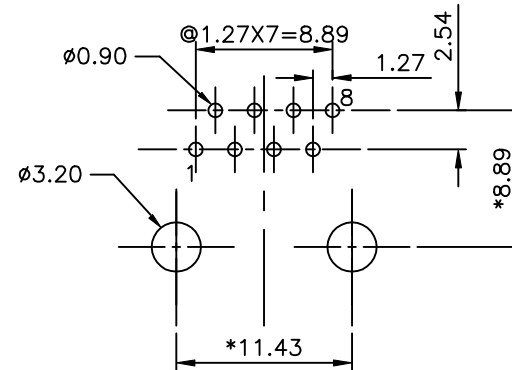
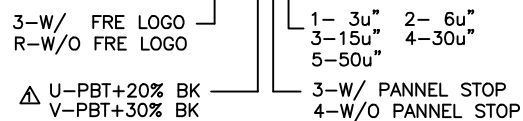
- 1. STORAGE : -40°C TO +85°C.
- 2. OPERATION : 0°C TO +70°C.
- 3. WAVE SOLDERING TEMPERATURE: 230~250°C(5~10SECONDS)

MATES WITH MODULAR PLUG CONFORMING TO

FCC PART 68, SUBPART F.

CUL FILE NO. E163191

ROHS PART NUMBER: E5288-X00XXX-L



PC Board Layout Component Side Shown

← MM (INCH) →		DFTO ANKUE	DATE 03/28/05	FULL RISE ELECTRONIC CO., LTD	
TOLERANCES EXCEPT AS NOTED		CHKDANKUE	DATE 2005/11/2		
DETACHED LISTS		MFO	DATE	TITLE (DIP & IMPROVED TYPE) RJ45 TOP ENTRY PCB JACK	
MM	±	APPVLLUSHENG	DATE 2005/11/2		
.0 ± 0.2	±	MATERIAL :		DRAWING NO. GE523100_LC	
.00 ± 0.15	±	FINISH :			
.000 ± 0.075	±	SCALE :		A3	1
ANGLES ± 0.5		THIRD ANGLE PROJECTION		DO NOT SCALE DRAWING	
				SHEET OF	